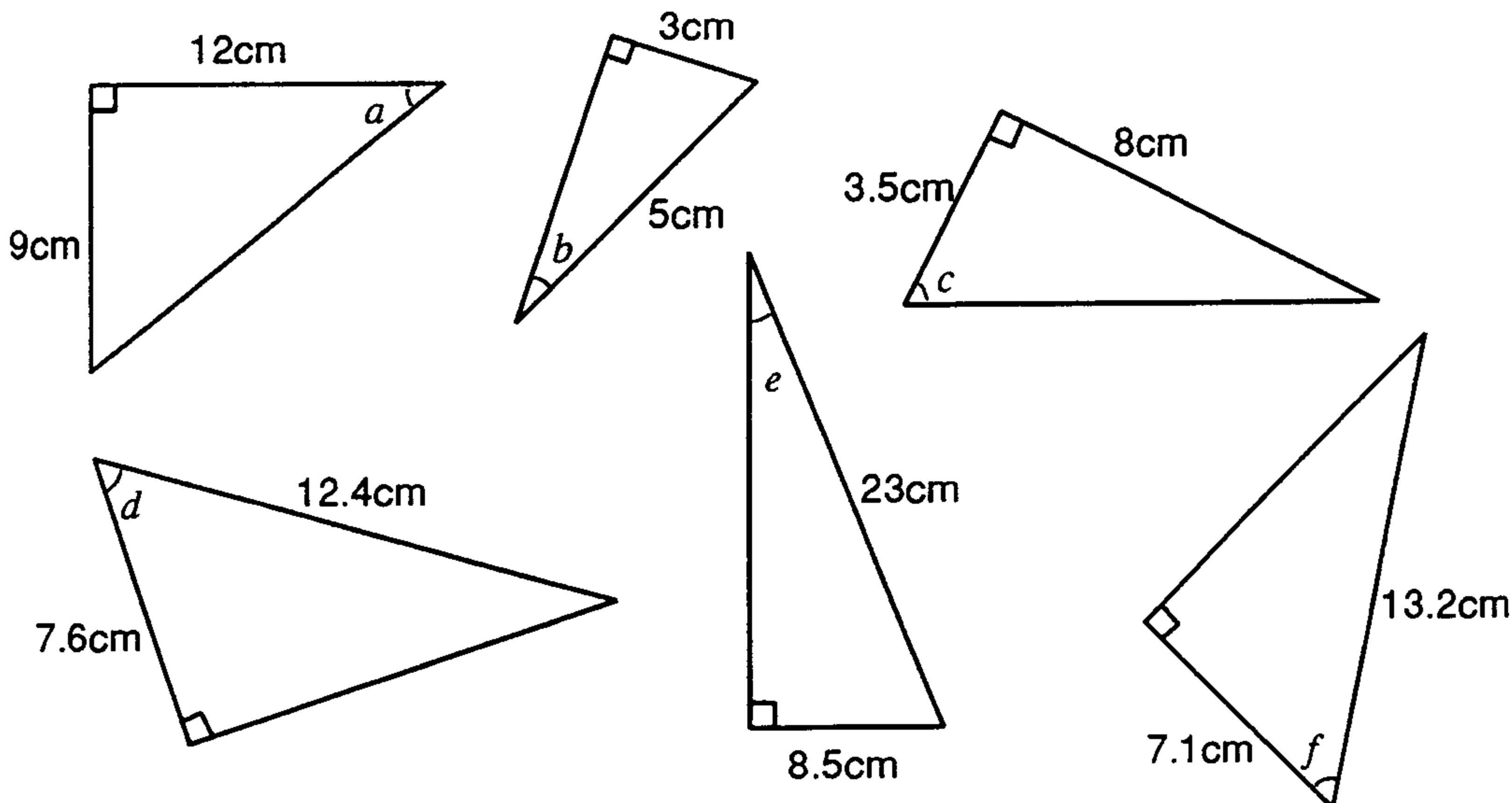
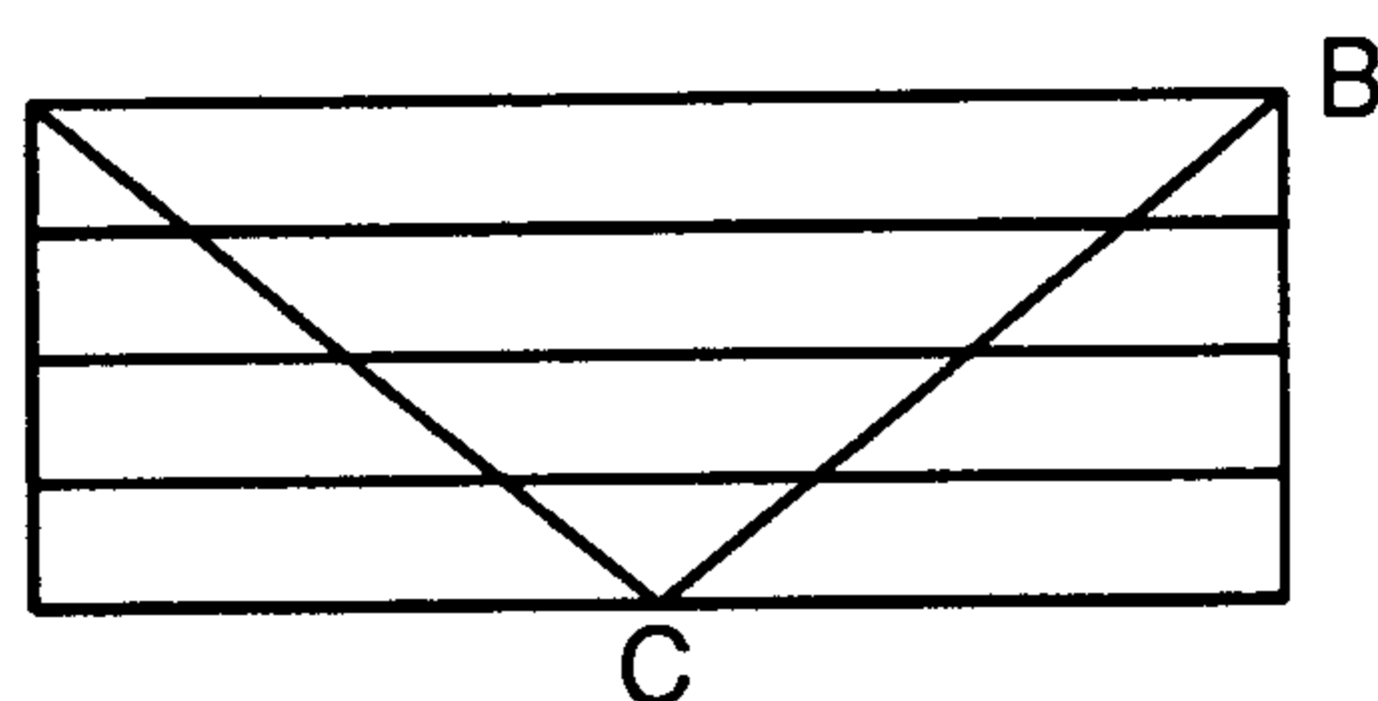


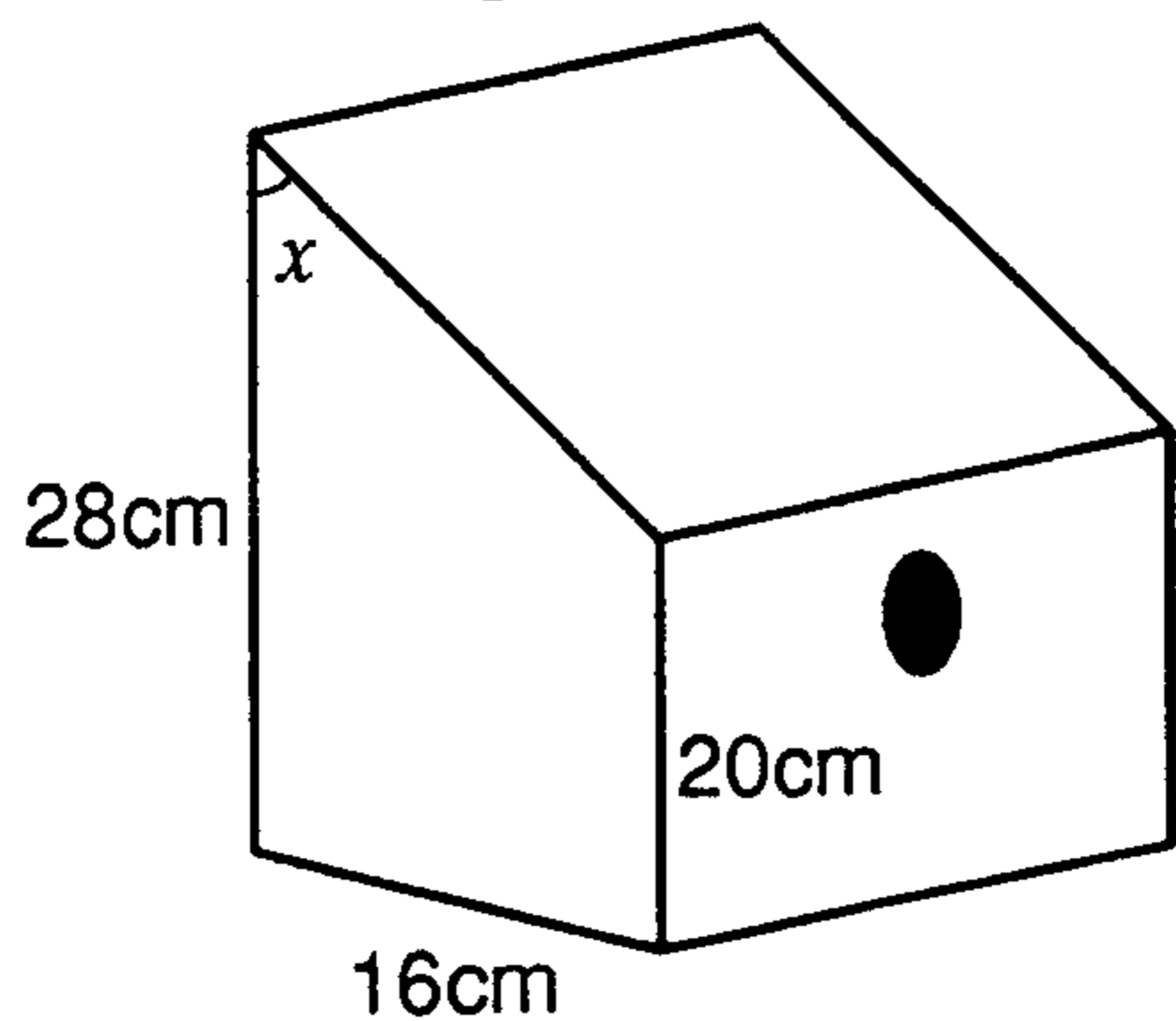
1. Find the labelled angles in the following triangles



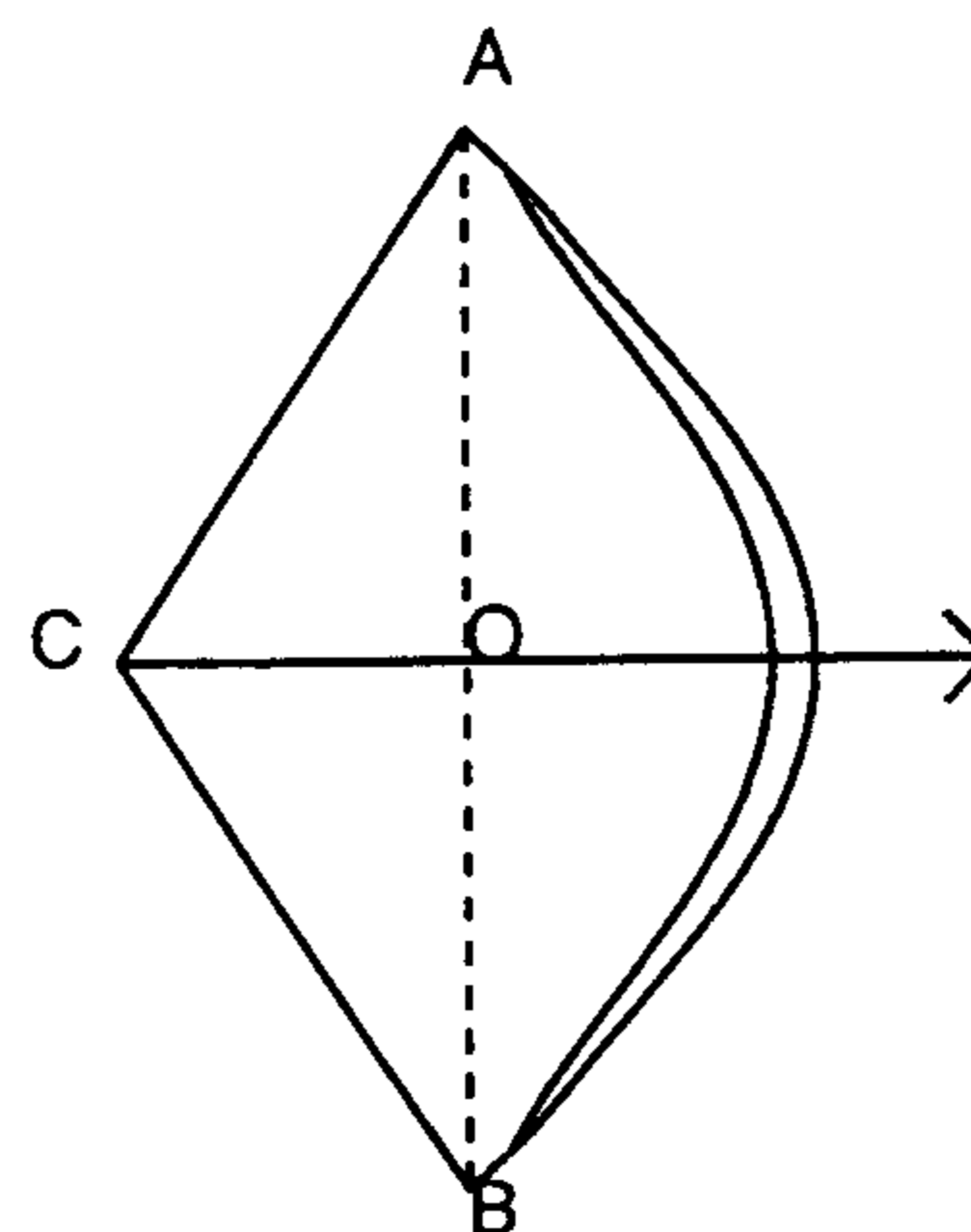
2. The diagonal bars AC and BC on a farm gate are each 2.6m in length and the gate itself has a width AB = 3.2m. Find
 (a) the height of the gate
 (b) the angle the diagonals make with the horizontal.



3. The diagram shows a birds nesting box. Calculate the angle x the roof makes with the back of the box.



4. When an arrow is drawn back $OC = 45\text{cm}$. The distance between the top and bottom of the bow $AB = 84\text{cm}$. Find angle ACB.



5. A television mast is held in position by three cables of varying lengths.
 AH is 20m long and $HAO = 32^\circ$
 (a) find height of mast OH
 BH is 25m long
 (b) find angle HBO
 OC is 18m
 (c) find angle HCO

