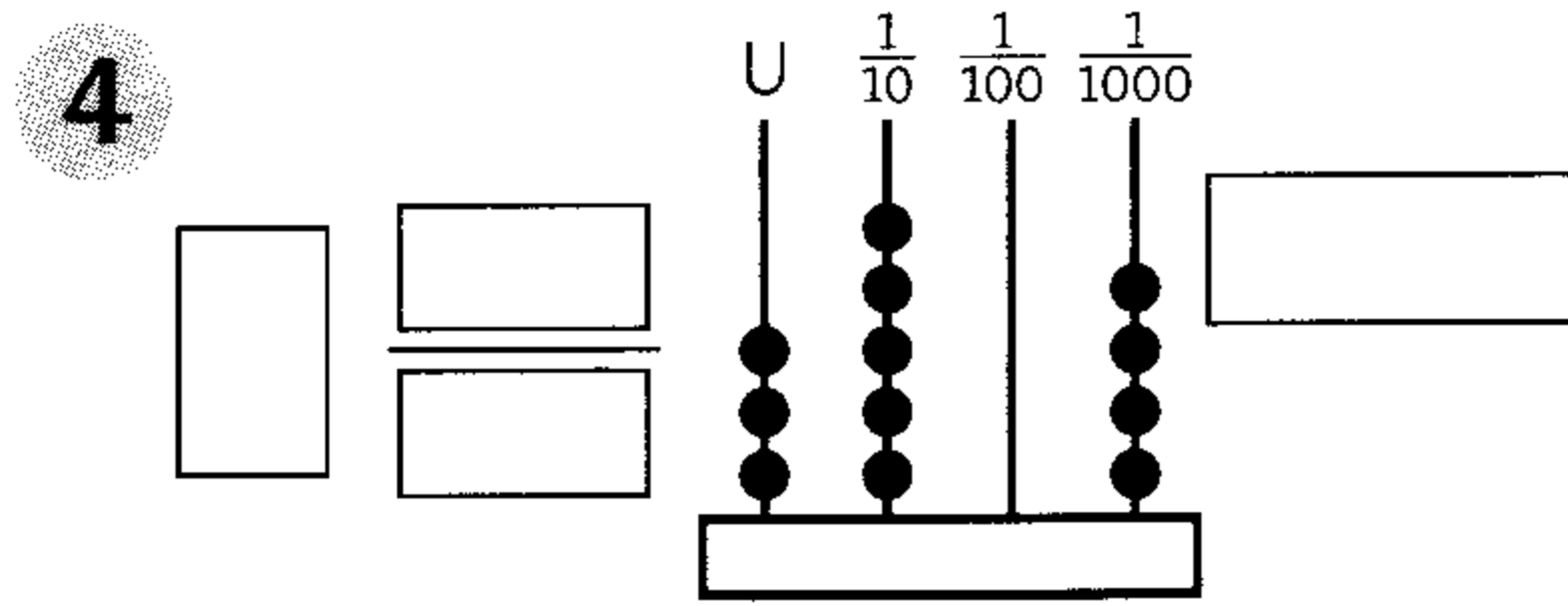
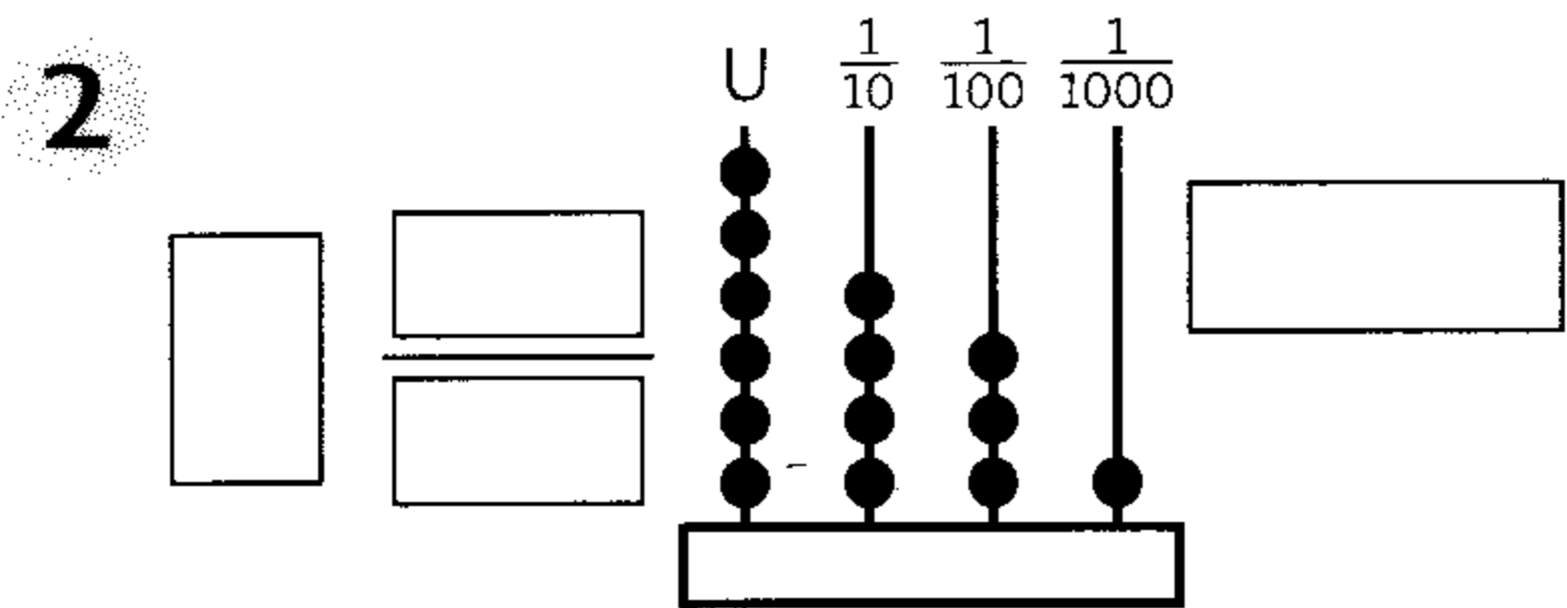
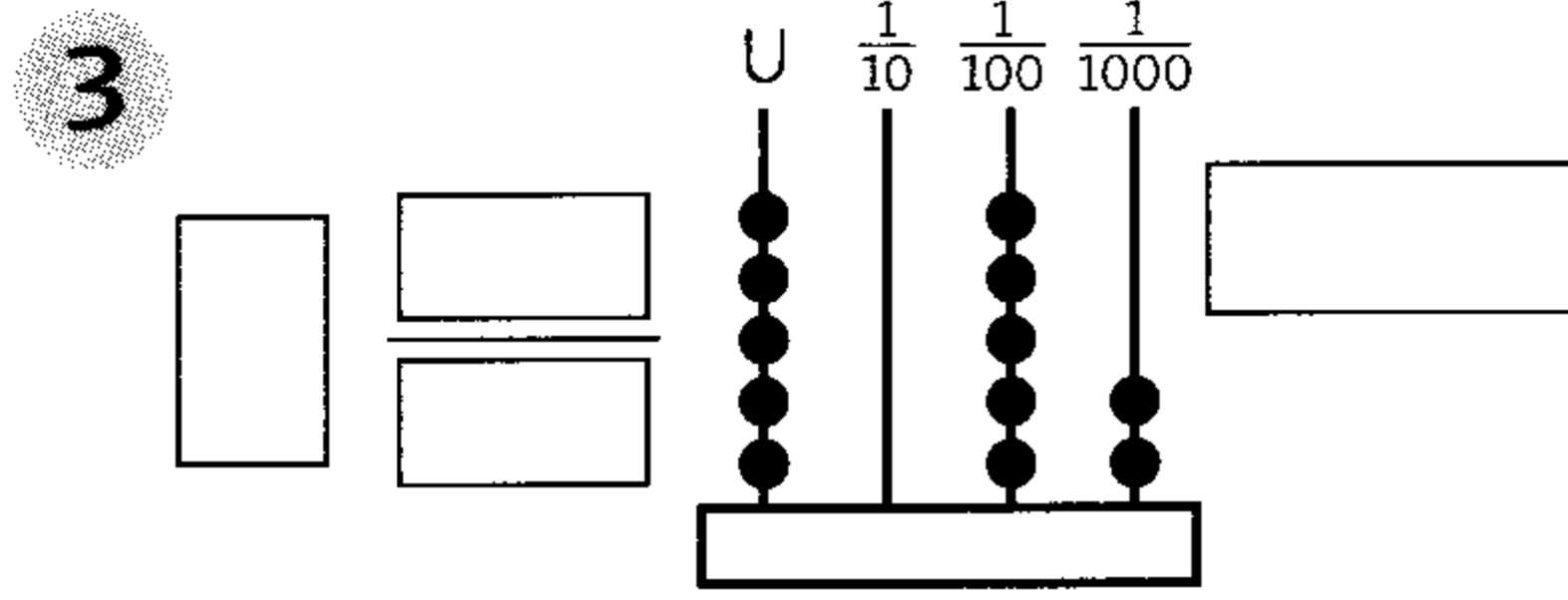
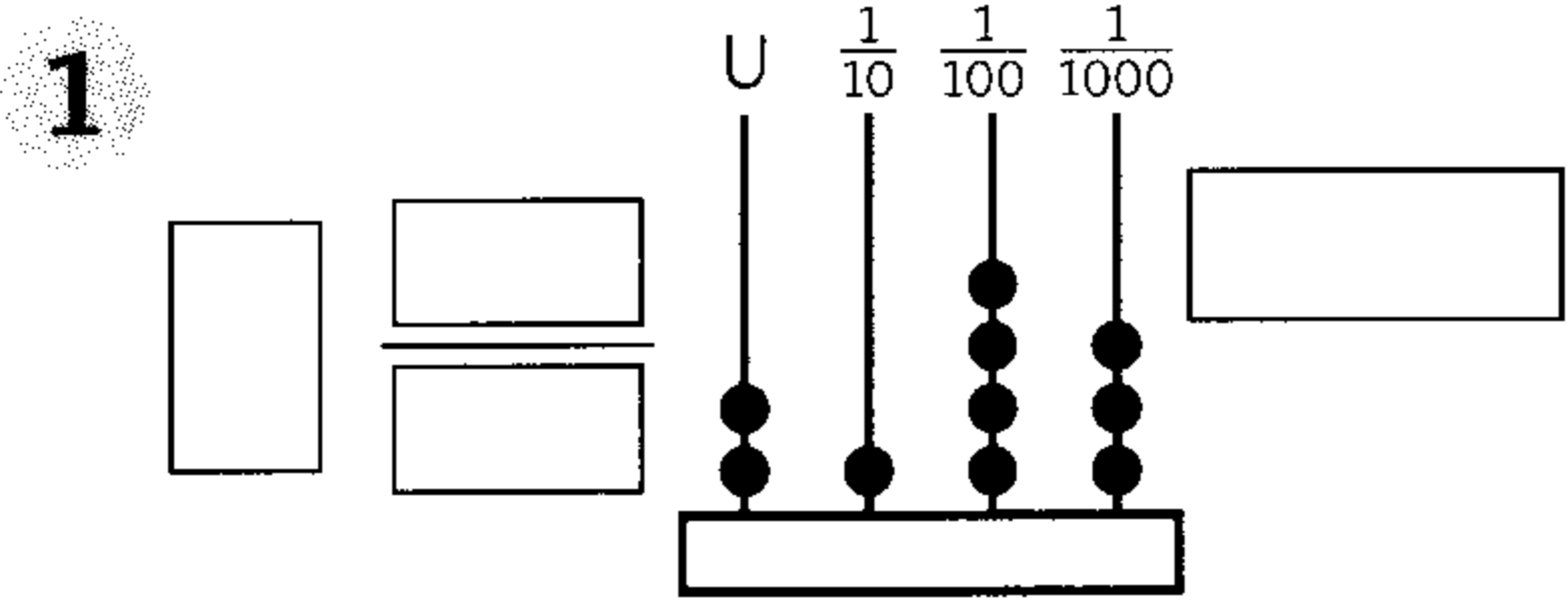


# Homework Sheet 10: Decimal Fractions

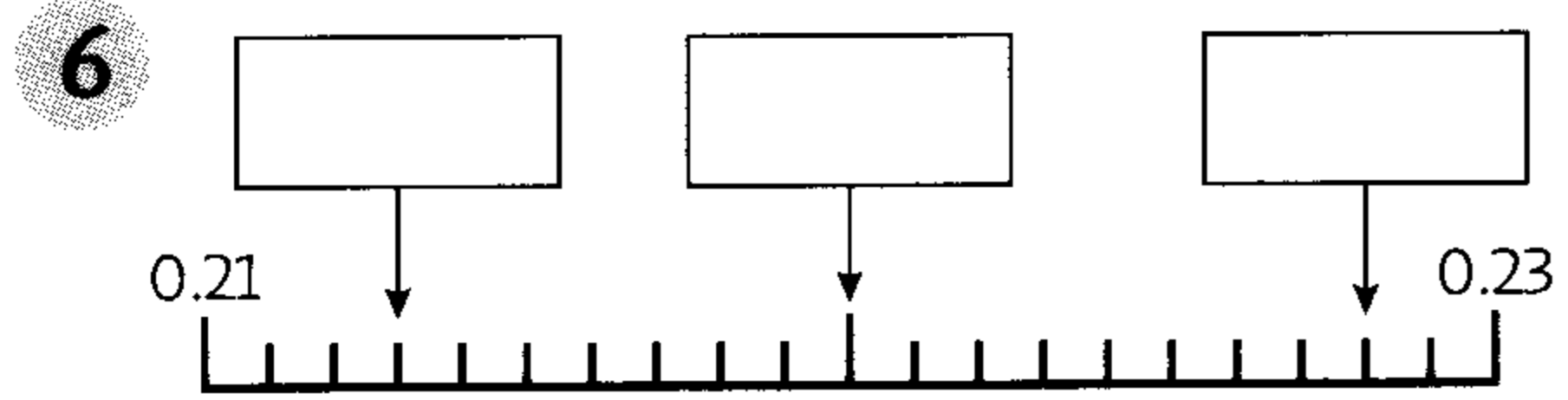
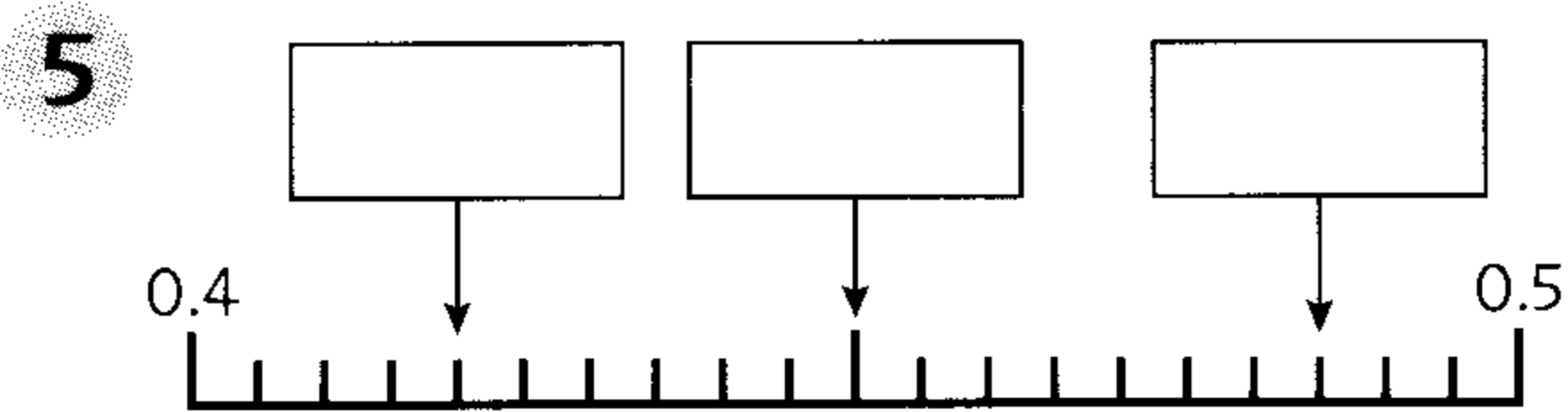
Examples  $\frac{8}{10} = 0.8$        $\frac{17}{100} = 0.17$        $\frac{238}{1000} = 0.238$

$419\frac{7}{10} = 419.7$        $65\frac{23}{100} = 65.23$        $1\frac{19}{1000} = 1.019$

Write the number shown on each abacus as a mixed number and as a decimal fraction.



Write the decimal fraction shown by each arrow in the box.



Write each number as a decimal fraction.

**7**  $5\frac{35}{100}$  .....

**11**  $\frac{7}{10}$  .....

**15**  $1\frac{425}{1000}$  .....

**8**  $19\frac{872}{1000}$  .....

**12**  $2\frac{63}{1000}$  .....

**16**  $3\frac{6}{1000}$  .....

**9**  $\frac{654}{1000}$  .....

**13**  $4\frac{579}{1000}$  .....

**17**  $10\frac{3}{100}$  .....

**10**  $1\frac{138}{1000}$  .....

**14**  $\frac{1}{1000}$  .....

**18**  $8\frac{17}{1000}$  .....

Write the value of the underlined figure.

**19** 36.4 .....

**22** 4.95 .....

**25** 64.71 .....

**20** 1.539 .....

**23** 74.329 .....

**26** 29.534 .....

**21** 21.87 .....

**24** 0.618 .....

**27** 8.103 .....