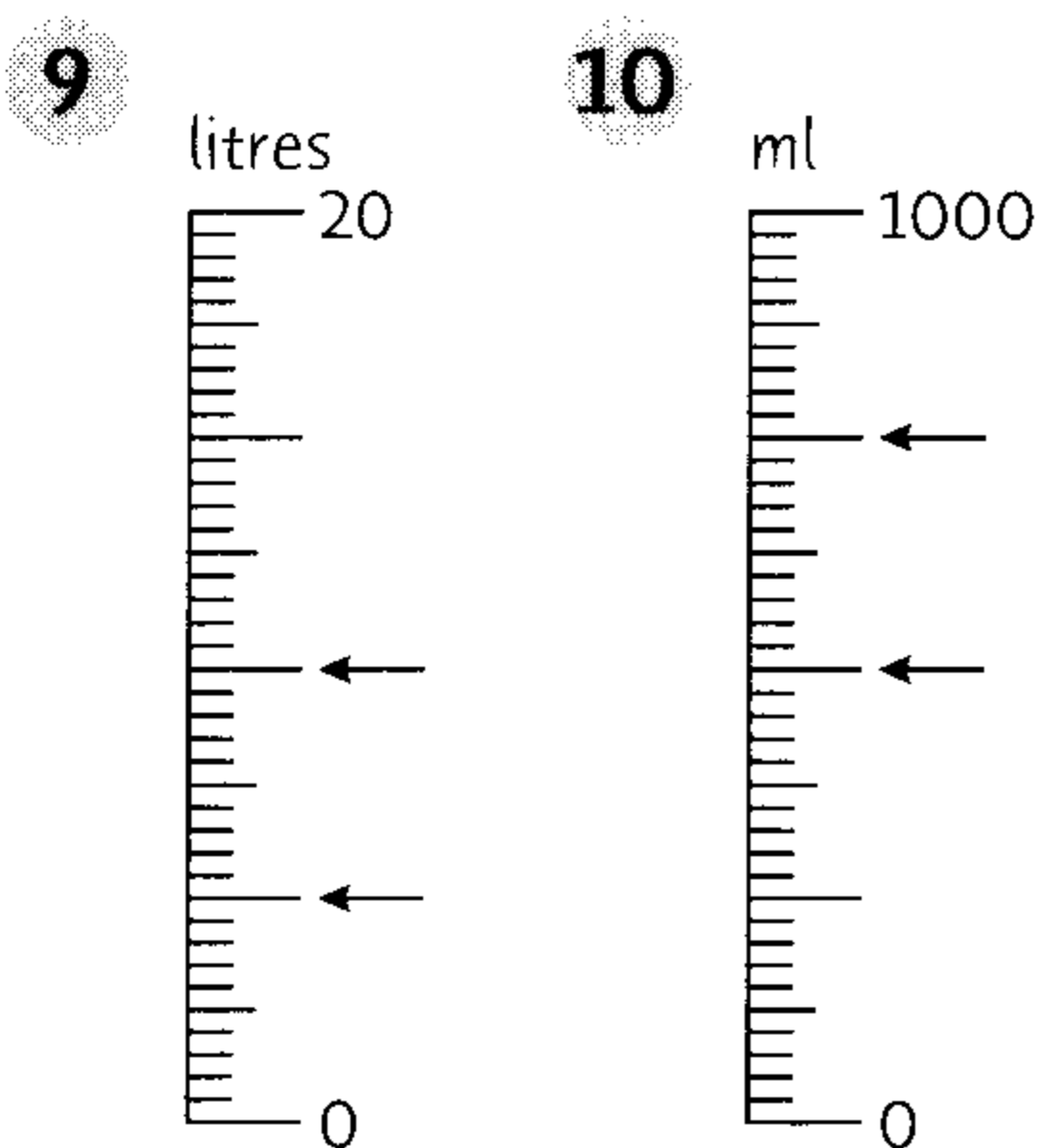
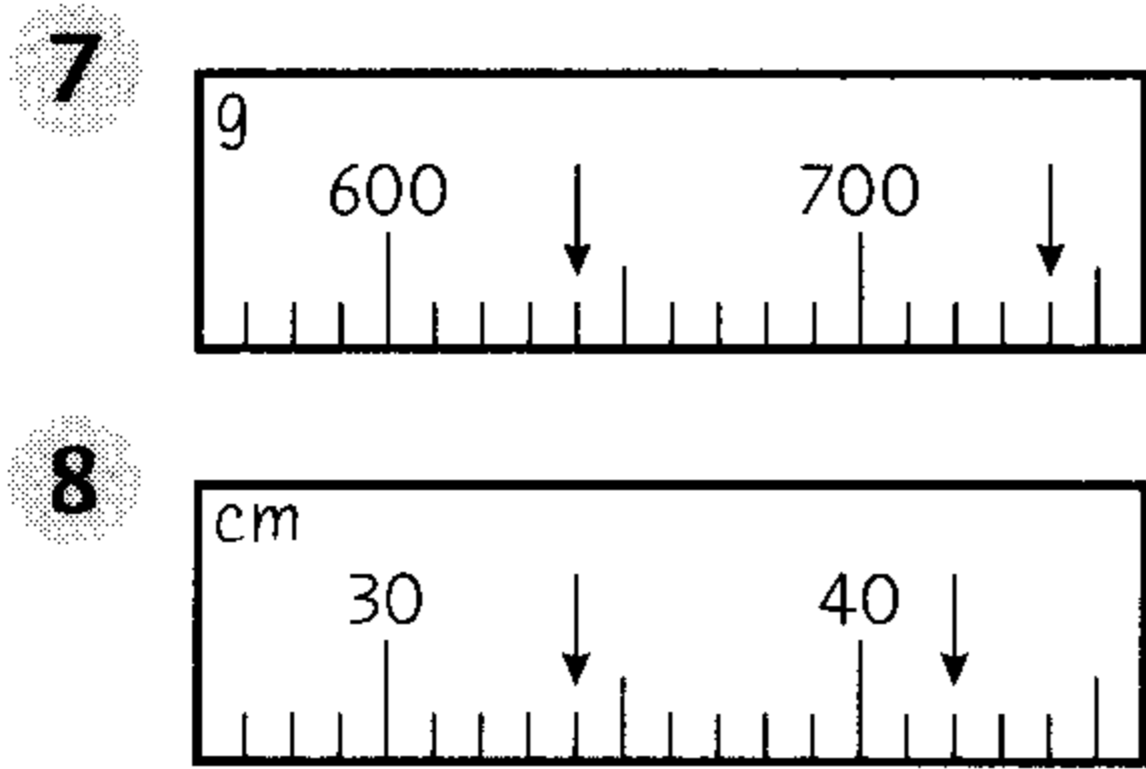
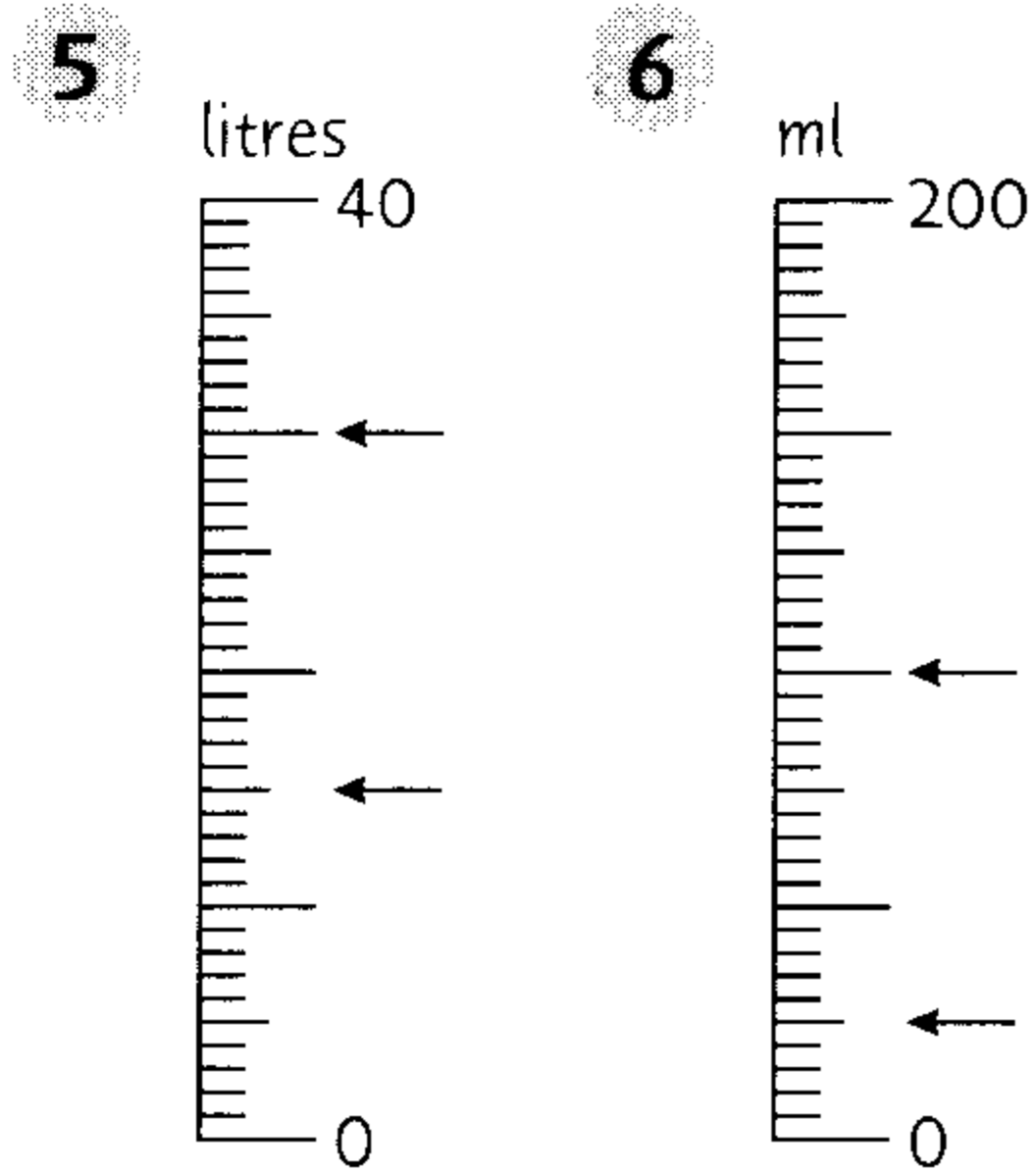
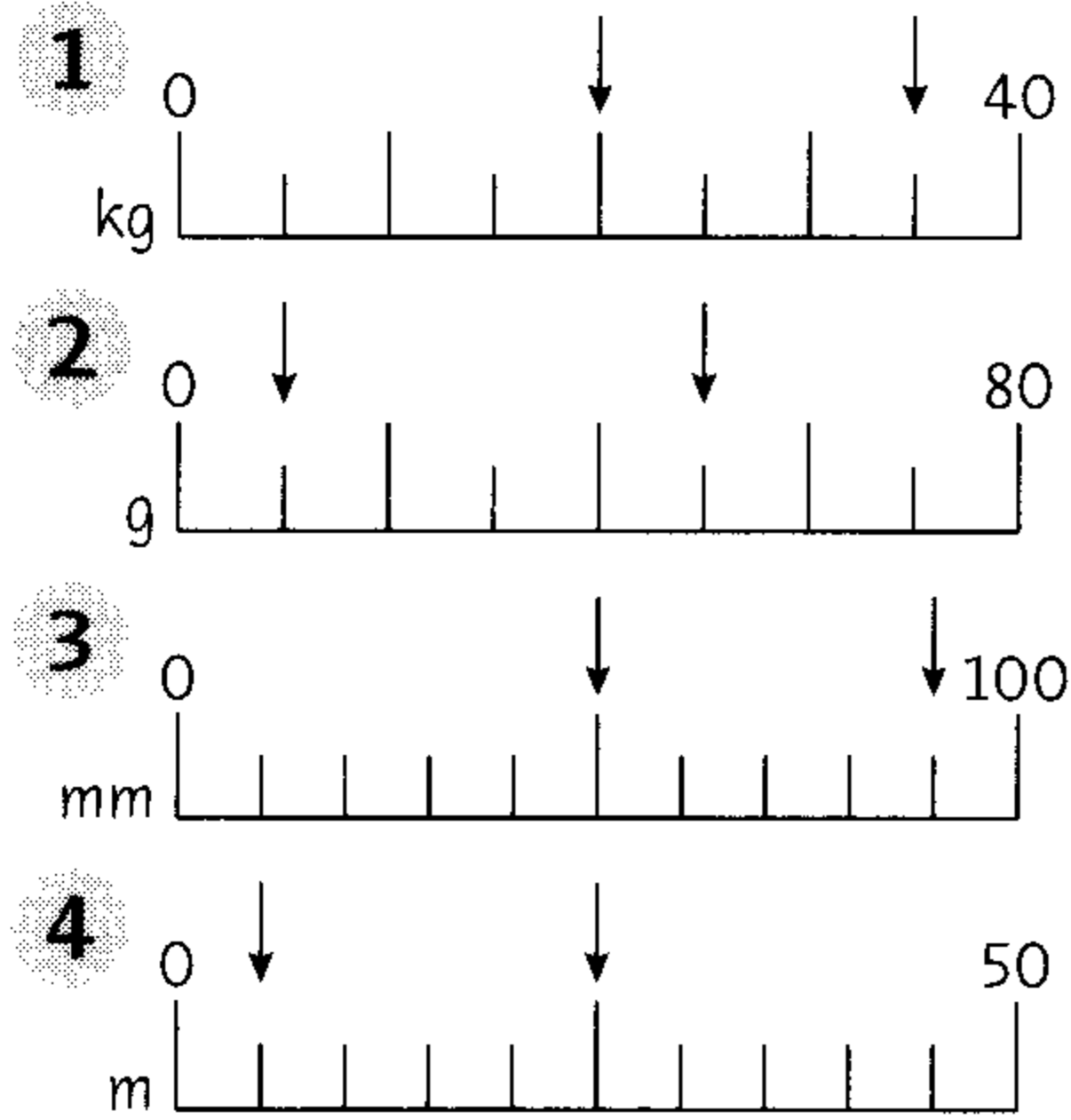


On this page you will learn to read scales accurately.

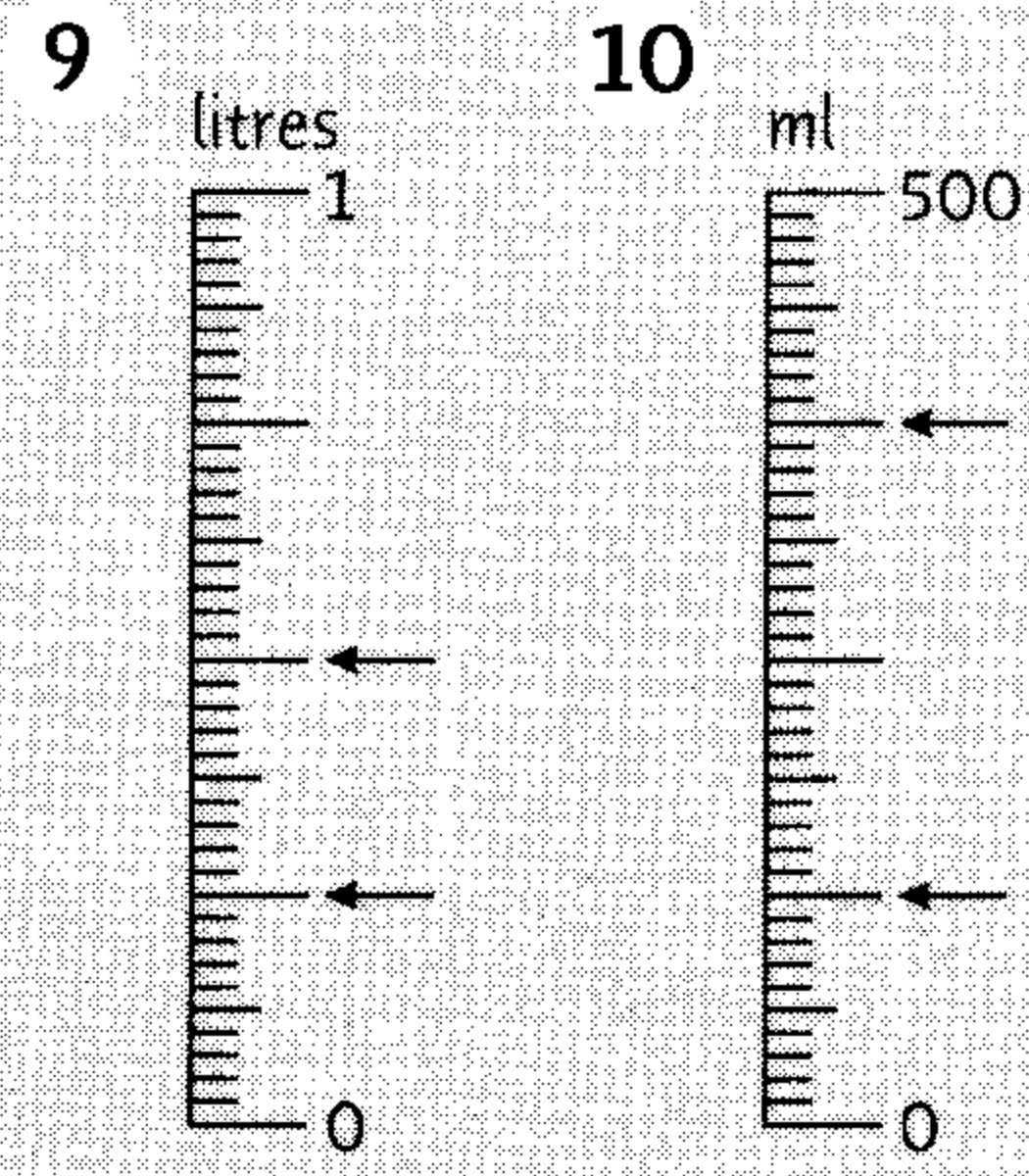
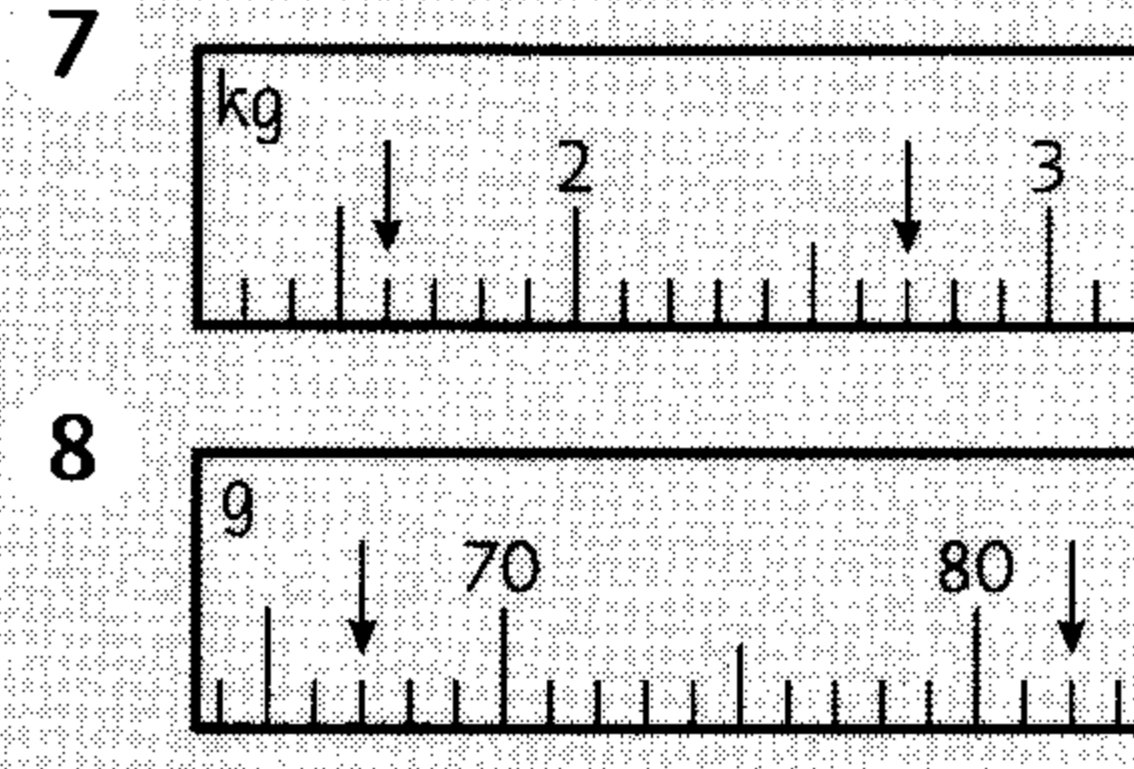
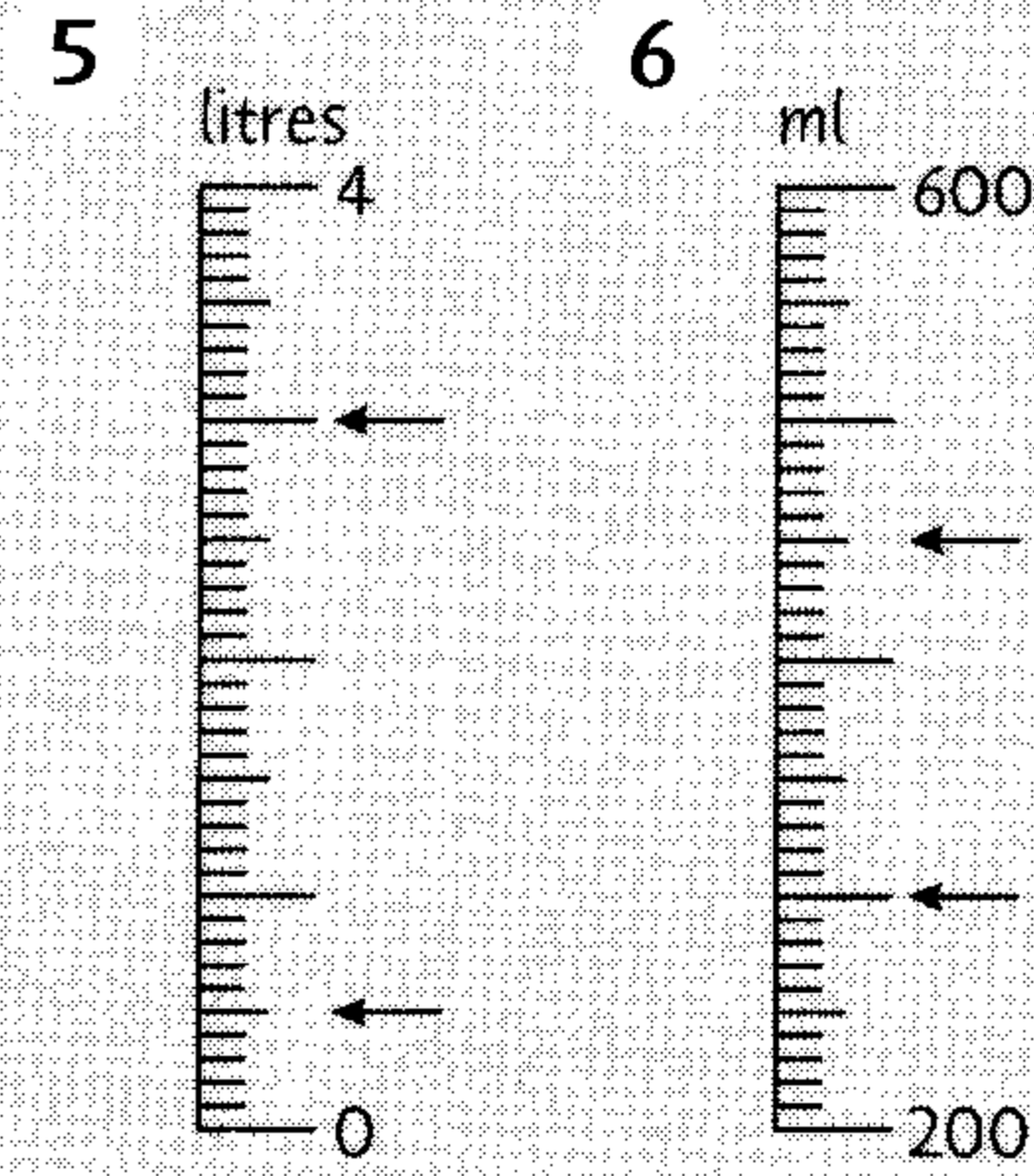
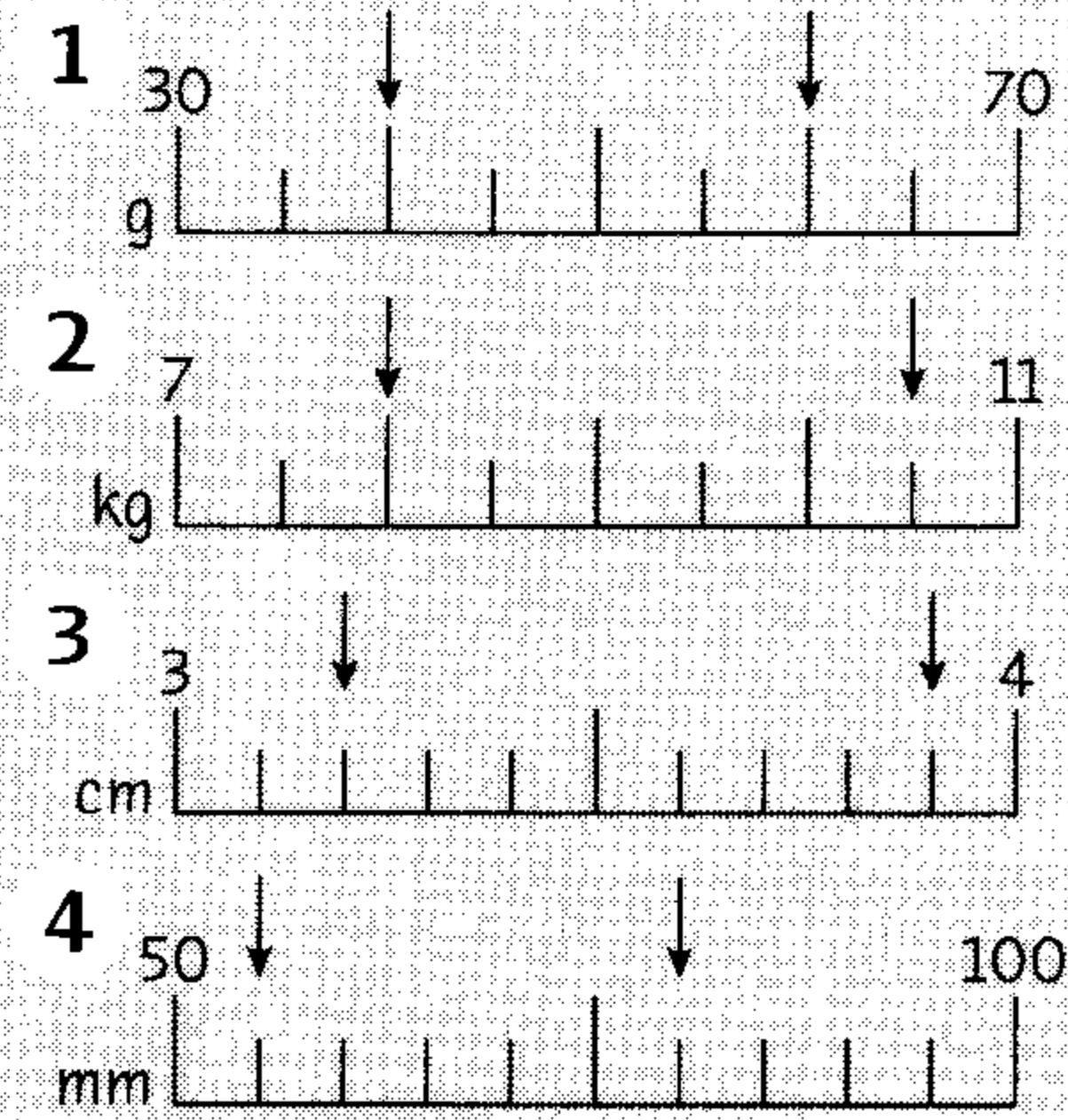
For each of the scales work out

- the measurement indicated by each of the arrows.
- the difference between the two arrows.

A



B



C

